

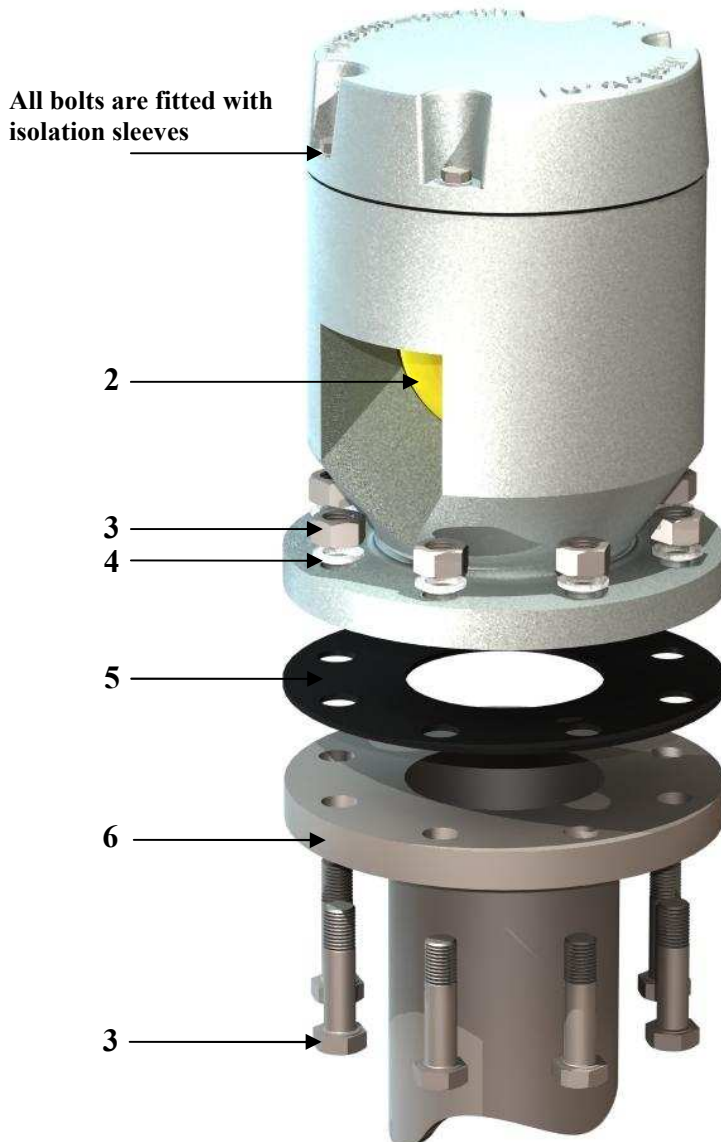


Established in 1952

Fitting Instructions

WIN2000 & WIKO5000 air pipe heads (all types and sizes)

The air pipe head characteristic curves of Winteb are to be taken into consideration.



1. **Do not paint flame head (if fitted)**
Check classification rules if a flame screen is needed when the air pipe head is fitted on a ballast tank.
If not, remove the flame screen when the air pipe head is fitted on ballast tanks.
 2. **Remove ball protection cover after painting, do not paint the float ball.**
 3. **Use galvanised or stainless steel bolts and nuts (available at WINTEB).**
 4. **Use isolation sleeves (supplied by WINTEB).**
 5. **Use full size gasket (available at WINTEB).**
 6. **Use flat face counter flanges (available at WINTEB).**
 7. **Use threaded air pipe heads only on aluminium pipes.**
- If you have any questions please contact us.**

P.O. Box 156, 9670AD
Parallelweg 1, 9672AW
Winschoten
The Netherlands

e-mail: info@winteb.nl
Phone: +31(0)597 412252
Fax: +31(0)597 420494
Internet: www.winteb.nl

VAT: NL807422794B01
Bank: ABNAMRO
Iban: NL58ABNA0211159689
Bic : ABNANL2A