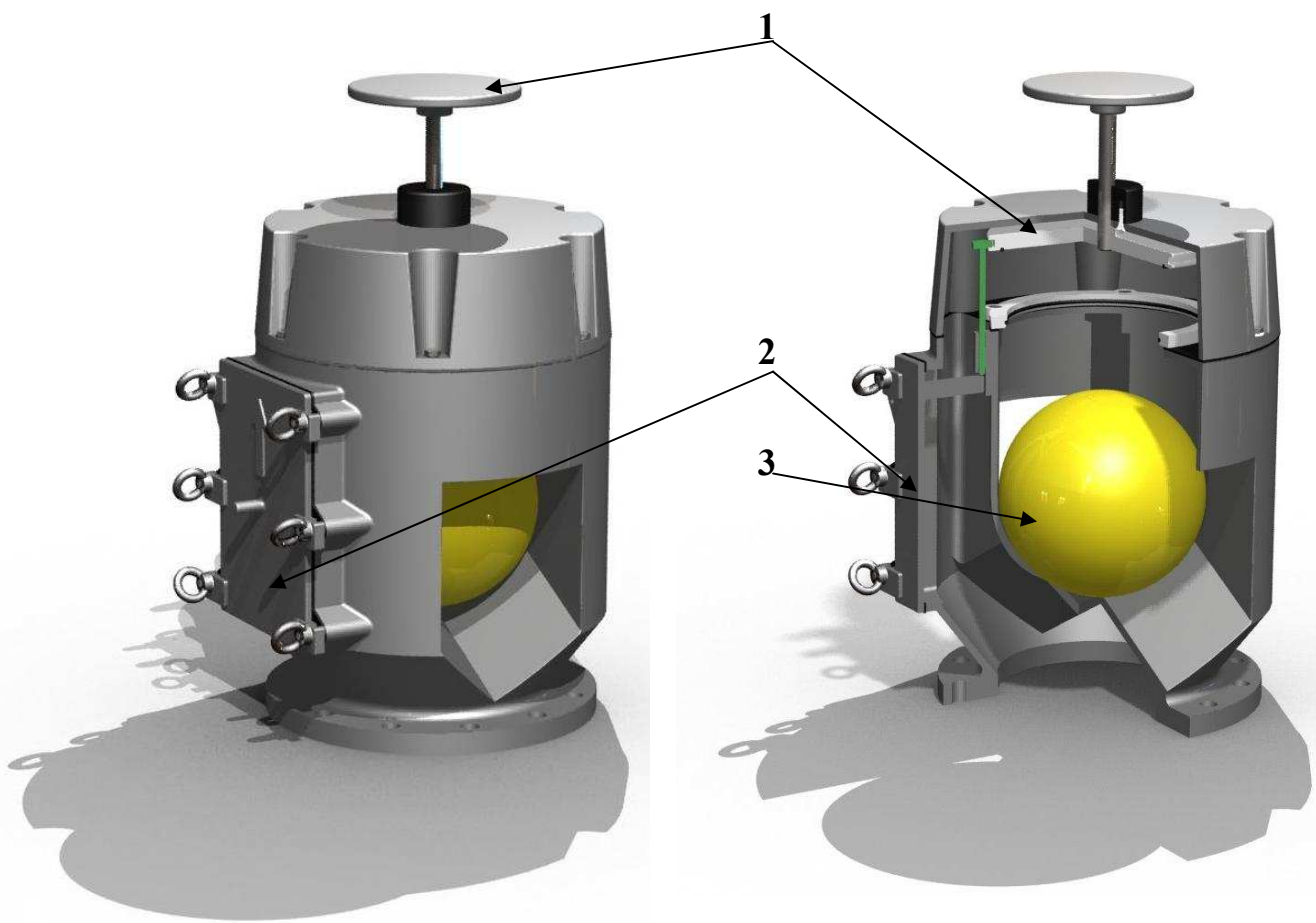


**NEW**  
**WIN2000 air pipe heads**  
**Ballast water management through continuously**  
**flushing ballast water.**

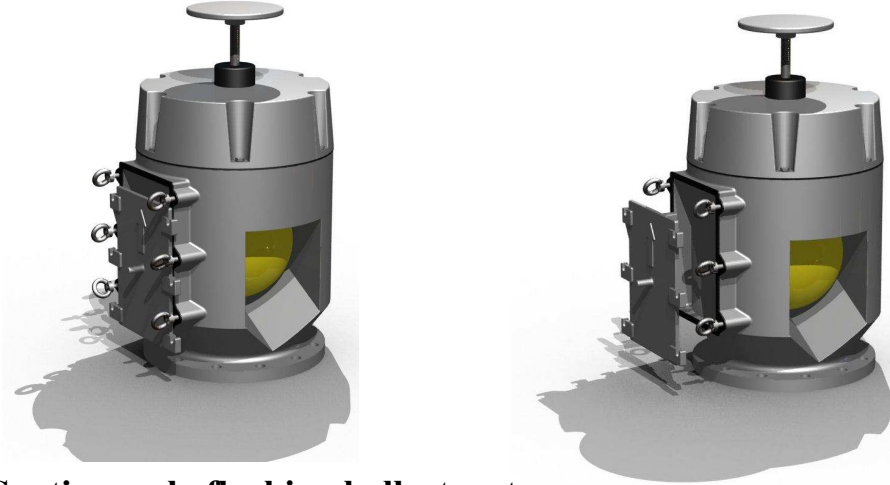


**Fitted with unique safety feature.**

- 1. Normal operations;**  
A WIN2000 with an opened closing device (1) and a closed flushing exit (2). The unique safety feature prevents possible damage to the ballast tanks caused by human negligence. The system functions either as a normal air pipe head or as open pipe system.

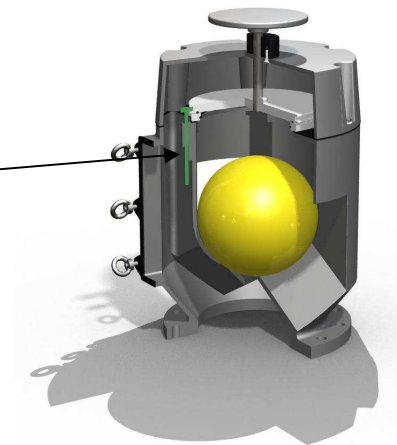
See reverse side

2. Only half a turn of the ringnuts is enough to release the flushing cover and open the flushing exit. The flushing cover is connected to the valve by a chain so it cannot be misplaced.



3. Continuously flushing ballast water;  
A WIN2000 with closed closing device and an opened flushing exit.

The closing device prevents any possible damage to the float ball or O-ring seal that might compromise the water tightness of the air pipe head. The unique safety feature (3) prevents the air pipe system to be fully closed. No human mistakes possible.



4. After flushing ballast water the closing device is opened and the flushing cover is fitted back by sliding it upwards in position (A). Again only half a turn of the ringnuts is enough to fasten the flushing cover.

