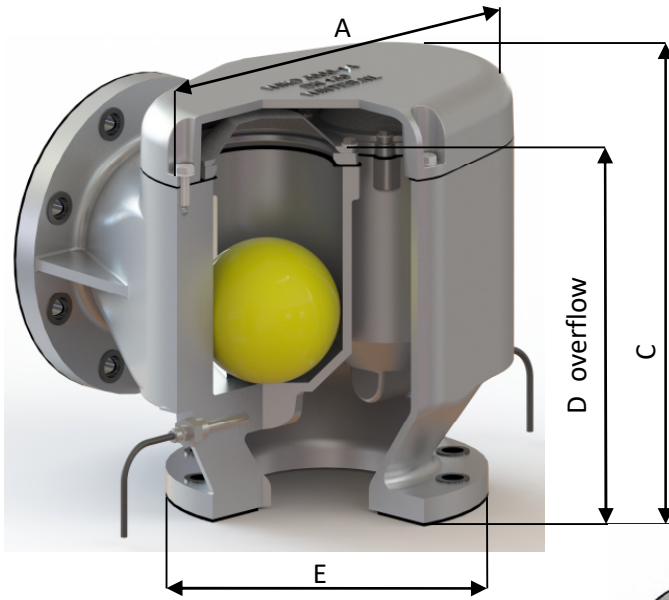


The world's largest producer of seawater resistant aluminium air pipe heads
Innovative and high quality products

WIKO5000 HEATED AIR PIPE HEADS

Face the cold with Winteb's heated Air Pipe Heads



Options:

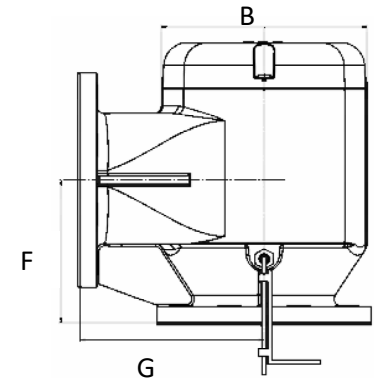
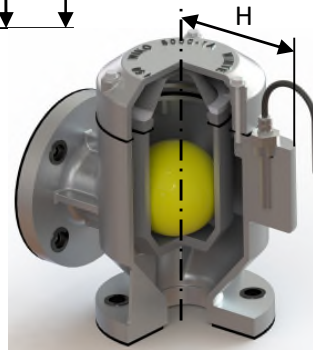
1. Closing device*
2. Screen*
3. Threaded connection (BSP/NPT)
only for aluminium pipes
4. Victaulic connection
5. Small flange connection
6. Powder (epoxy) coating - mandatory**
7. Sounding pipe

*Either option 1 or 2

(Closing device or screen)

- HFO: Winteb strongly advises to use VITON Gaskets for HFO tanks & Bunker stations with temperatures exceeding +60°C

- Winteb advises to not use a screen on Ballast tanks unless required by class



**WIKO5000 type 1A has to be powder coated because of warranty reasons

- Electrical grounding has to be ensured by assembly.
- Avoid any tensile loads on the cables for these type of application

	DN50 (2")	DN65 (2 1/2")	DN80 (3")	DN100 (4")	DN125 (5")	DN150 (6")	DN175 (7")	DN200 (8")	DN250 (10")	DN300 (12")	DN350 (14")	DN400 (16")
A (mm)	Ø156	Ø156	Ø156	Ø205	Ø205	Ø375	Ø375	Ø440	Ø440	Ø610	Ø610	Ø610
B (mm)						Ø270	Ø270	Ø270	Ø270	Ø450	Ø450	Ø450
C ±2.5 (mm)	258	258	258	342	342	375	375	437	437	565	565	565
D (with screen) (mm)	210	210	210	280	280	320	320	375	375	465	465	465
E	Flange connection according to any standard											
F (mm)	105	112.5	122.5	170	170	190	202.5	215	230	270	295	270
G (mm)	130	130	130	175	175	245	245	245	245	350	350	350
H (mm)	130	130	130	155	155							
Ball diameter (mm)	Ø90	Ø90	Ø90	Ø130	Ø130	Ø130	Ø130	Ø130	Ø130	Ø240	Ø240	Ø240
Weight (kg)	6	6.5	6.5	11	13	23	26	29	30	57	59	62
Power (w)	97	97	97	97	97	194	194	194	194	194	194	194
Flow rate at 0,25 bar(m3/h)***	28.7	31.4	35.7	72.6	76.9	151.8	151.8	257.7	265.6	510.5	506.3	514.3
Max. inlet air speed (m/s)	16.5	10	7	10	8.5	14	14	14	11	15	9.5	10

*** Please note that these values correspond with the WIKO5000 Type 1A with screen mesh 18, flowrate is with water being pumped through the air pipe head.

This information is not to be considered exhaustive. The content of this publication is of general and informative nature and is not meant as (technical) advice for product or usage purposes. No rights are to be derived from this information.

Made of seawater resistant Aluminium EN1706/DIN1725 | Non corroding | Maintenance free | Smallest design available
Cost saving | light weight = less fuel = less CO2 emission | Approved by all major classification societies

The world's largest producer of seawater resistant aluminium air pipe heads
Innovative and high quality products

WIKO5000 HEATED AIR PIPE HEADS

Face the cold with Winteb's heated Air Pipe Heads



WIKO5000 1A HEATED



WIKO5000 1A EX-proof HEATED

Marking Heating element:
- II 2G Ex db IIC T3
- II 2D Ex tb IIIC T200°C

Marking Housing:
- II 2G Ex h IIB T6 Gb

Other T-class options
available

Pos.	Description	Material	DN50 (2")	DN65 (2,5")	DN80 (3")	DN100 (4")	DN125 (5")	DN150 (6")	DN175 (7")	DN200 (8")	DN250 (10")	DN300 (12")	DN350 (14")	DN400 (16")
1	Standard heating elements	Stainless Steel	H.11-75-97 (1x)	H.11-75-97 (1x)	H.11-75-97 (1x)	H.11-75-97 (1x)	H.11-75-97 (1x)	H.11-75-97 (2x)	H.11-75-97 (2x)	H.11-75-97 (2x)	H.11-75-97 (2x)	H.11-75-97 (2x)	H.11-75-97 (2x)	H.11-75-97 (2x)
2	EX-proof heating elements	Seawater Res. Al	H.EX-25-105-80 (1x)	H.EX-25-105-80 (1x)	H.EX-25-105-80 (1x)	H.EX-25-155-120 (1x)	H.EX-25-155-120 (1x)	H.EX-25-155-120 (2x)	H.EX-25-155-120 (2x)	H.EX-25-155-120 (2x)	H.EX-25-155-120 (2x)	H.EX-25-155-120 (2x)	H.EX-25-155-120 (2x)	H.EX-25-155-120 (2x)

Information heating elements see:

- Winteb Heating Cartridges for Winteb Heated Air vent Heads.
- Winteb EX_Proof Heating Element H1760378_SL CylTherm D.A
- Operating instructions Winteb EX-proof heating element H1760378_SL Cyltherm D.A series
- Electrical grounding has to be ensured by assembly.
- Avoid any tensile loads on the cables for these type of application

This information is not to be considered exhaustive. The content of this publication is of general and informative nature and is not meant as (technical) advice for product or usage purposes. No rights are to be derived from this information.

Investing in Winteb Air Pipe Heads is beneficial in the long term, saving maintenance, replacement and costs.
For more information and a complete overview of our product range, please check www.winteb.com