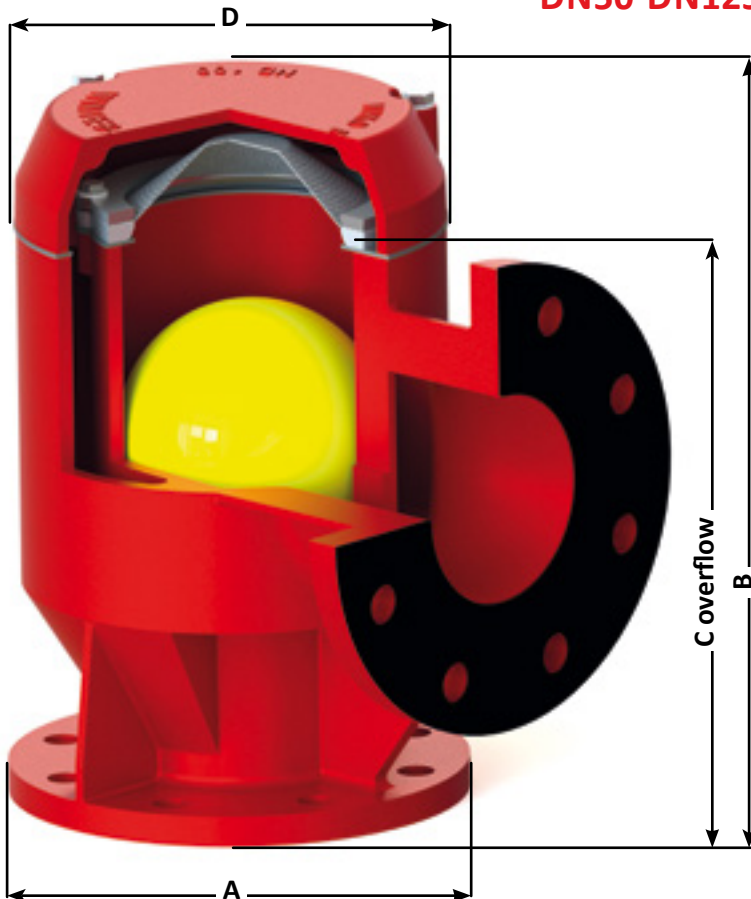


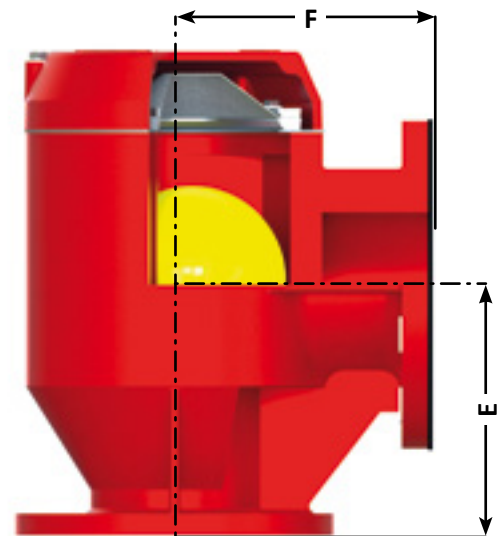
The world's largest producer of seawater resistant aluminium air pipe heads  
Innovative and high quality products

**WIKO5000 TYPE1-A AIR PIPE HEADS  
DN50-DN125**



**Options:**

1. Screen
2. Sounding pipe
3. Closing device
4. Vacuum Breaker



	DN50 (2")	DN65 (2 1/2")	DN80 (3")	DN100 (4")	DN125 (5")
<b>A</b>	A Flange connections according to international standards				
<b>B ±2.5</b>	240	240	240	335	335
<b>C Overflow</b>	210	210	210	260	260
<b>D</b>	Ø156	Ø156	Ø156	Ø205	Ø205
<b>E</b>	105	112.5	122.5	170	170
<b>F</b>	130	130	130	175	175
<b>Ball diameter</b>	Ø90	Ø90	Ø90	Ø105	Ø130
<b>Weight kg.</b>	4.5	5	6	10	12
<b>Flow rate at 0,25 bar(m3/h)*</b>	28.7	31.4	35.7	72.6	76.9
<b>Max. inlet air speed (m/s)</b>	16.5	10	7	10	8.5
<b>Inlet air flow rate at max. inletair speed (m3/h)</b>	108	126	129	288	396

**WIKO5000 Type 1A Air Pipe Head**

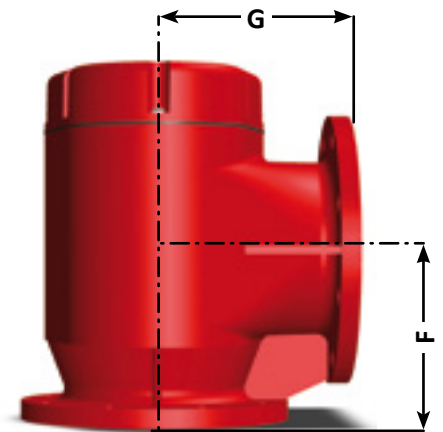
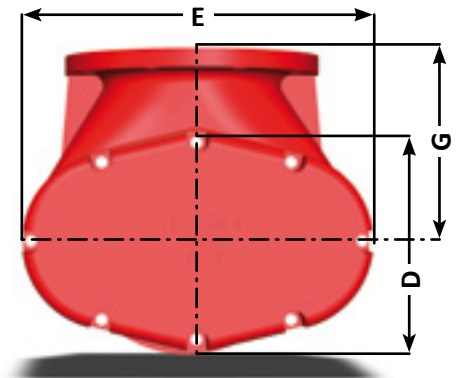
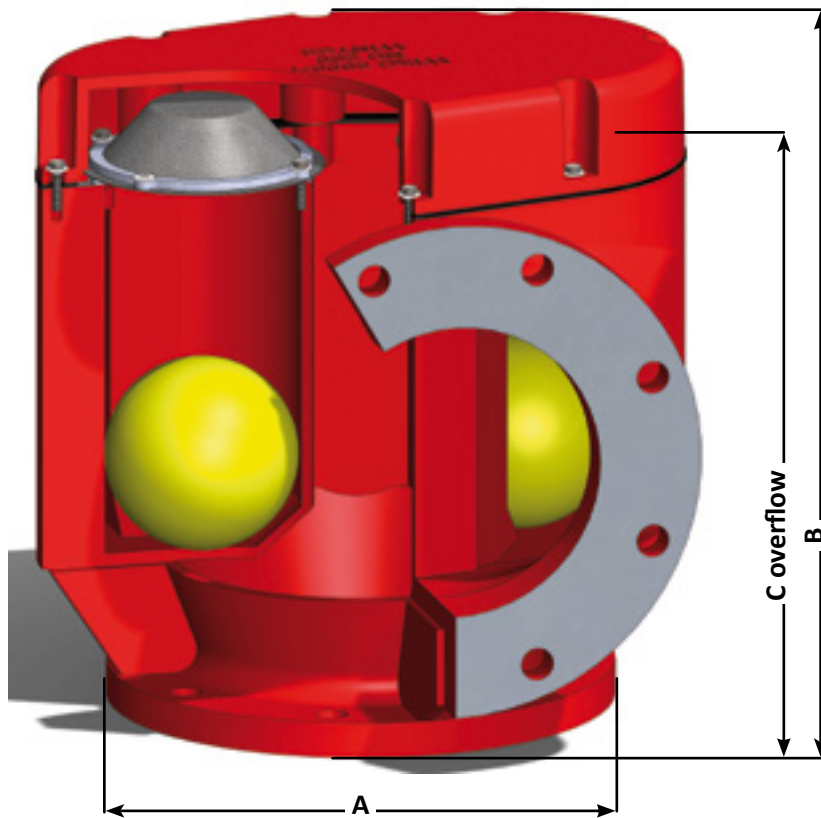
Also available in de-icing system  
Picture below shows a WIKO5000 Type 1A DN50 with de-icing system



\*Please note that these values correspond with the WIKO5000 Type 1A with screen mesh 18, flowrate is with water being pumped through the air pipe head

Made of seawater resistant Aluminium DIN1725 | Non corroding | Maintenance free | Smallest design available  
No suction blocking | Cost saving | light weight = less fuel = less CO2 emission | Approved by all major classification societies

**WIKO5000 TYPE1-A AIR PIPE HEADS  
DN150-DN400**



	DN150 (6")	DN175 (7")	DN200 (8")	DN250 (10")	DN300 (12")	DN350 (14")	DN400 (16")
<b>A</b>	Flange connections according to international standards						
<b>B ±2.5</b>	365	365	430	430	565	565	565
<b>C Overflow</b>	320	320	375	375	465	465	465
<b>D</b>	270	270	270	270	450	450	450
<b>E</b>	375	375	440	440	610	610	610
<b>F</b>	190	202.5	215	230	270	295	270
<b>G</b>	245	245	245	245	350	350	350
<b>Ball diameter</b>	Ø130	Ø130	Ø130	Ø130	Ø240	Ø240	Ø240
<b>Weight kg.</b>	22	25	30	32	55	57	60
<b>Flow rate at 0,25 bar(m3/h)*</b>	151.8	151.8	257.7	265.6	510.5	506.3	514.3
<b>Max. inlet air speed (m/s)</b>	14	14	14	11	15	9.5	10
<b>Inlet air flow rate at max. inlet air speed (m3/h)</b>	900	900	1530	2052	3780	3420	4320

**WIKO5000 Type 1A Air Pipe Head**

Also available in de-icing system  
Picture below shows a WIKO5000 Type 1A DN200 with de-icing system



\*Please note that these values correspond with the WIKO5000 Type 1A with screen mesh 18, flowrate is with water being pumped through the air pipe head

Investing in Winteb Air Pipe Heads is beneficial in the long term, saving maintenance, replacement and costs.  
For more information and a complete overview of our product range, please check [www.winteb.com](http://www.winteb.com)