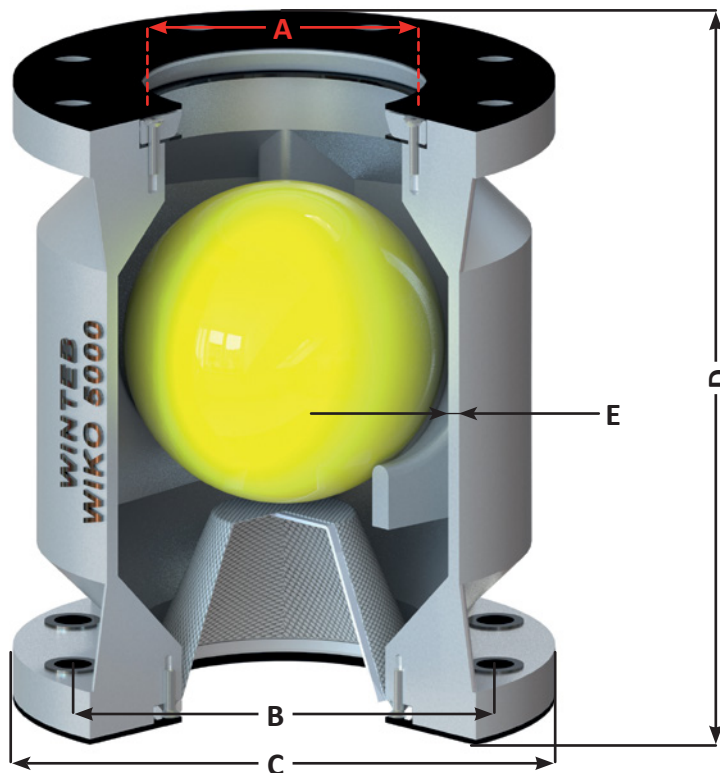


The world's largest producer of seawater resistant aluminium air pipe heads  
with more than 60 years of experience

## WIKO5000 GOOSENECK TYPE 1B WITH SCREEN

**Options:**

1. Screen
2. Powder coating



|  | DN50<br>(2")  | DN65<br>(2 1/2") | DN80<br>(3") | DN100<br>(4") | DN125<br>(5") | DN150<br>(6") | DN200<br>(8") | DN250<br>(10") | DN300<br>(12") | DN350<br>(14") | DN400<br>(16") |
|--|---|------------------|--------------|---------------|---------------|---------------|---------------|----------------|----------------|----------------|----------------|
| A (mm)   | Ø50   | Ø65              | Ø80          | Ø100          | Ø125          | Ø150          | Ø200          | Ø250           | Ø300           | Ø350           | Ø400           |
| B  | Flange connections according to international standards |                  |              |               |               |               |               |                |                |                |                |
| C  |   |                  |              |               |               |               |               |                |                |                |                |
| D (mm)   | 170   | 200              | 225          | 255           | 290           | 330           | 405           | 490            | 560            | 625            | 700            |
| E (mm)   | 6.5   | 6.5              | 6.5          | 7.5           | 7.5           | 8.0           | 8.5           | 8.5            | 10.0           | 10.0           | 10.0           |
| Ball diameter (mm)                                 | Ø60   | Ø90              | Ø90          | Ø120          | Ø145          | Ø170          | Ø227          | Ø280           | Ø325           | Ø360           | Ø400           |
| Weight (kg)  | 4   | 4                | 7            | 7             | 8             | 13            | 22            | 31             | 47             | 64             | 83             |
| Flow rate at 0,25 bar (m3/h)*                      | 27  | 44               | 74           | 114           | 166           | 271           | 444           | 605            | 935            | 1250           | 1760           |
| Max. inlet air speed (m/s)                         | 16  | 17               | 22           | 22.5          | 22.5          | 22.5          | 14            | 22.5           | 20             | 24             | 22.5           |
| Inlet air flow rate at max. inlet air speed (m3/h) | 117   | 198              | 396          | 630           | 990           | 1440          | 1530          | 3960           | 5040           | 8100           | 9900           |

\* Please note that these values correspond with the WIKO5000 Gooseneck type 1B with screen mesh 18, flowrate is with water being pumped through the air pipe head

This information is not to be considered exhaustive. The content of this publication is of general and informative nature and is not meant as (technical) advice for product or usage purposes. No rights are to be derived from this information.

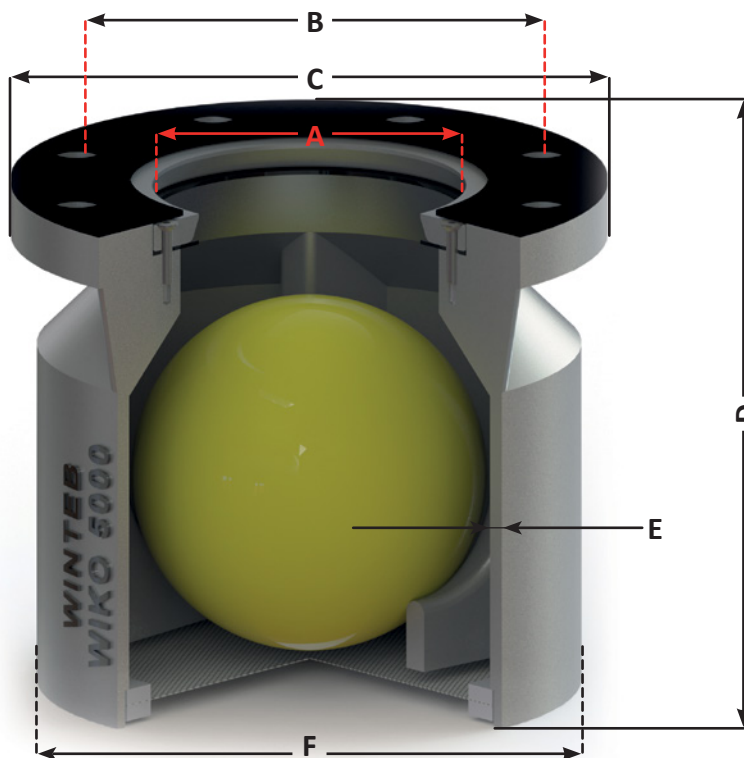
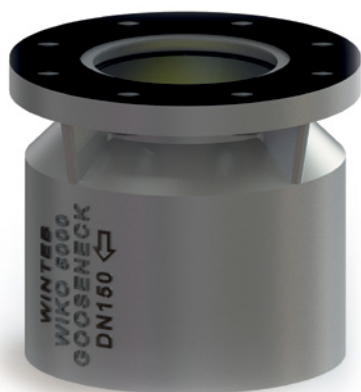
Made of seawater resistant Aluminium EN1706 | Non corroding | Maintenance free | Smallest design available  
No suction blocking | Cost saving | light weight = less fuel = less CO2 emission | Approved by all major classification societies

The world's largest producer of seawater resistant aluminium air pipe heads  
with more than 60 years of experience

### WIKO5000 GOOSENECK TYPE 1 WITH SCREEN

**Options:**

1. Screen
2. Powder coating



|  | DN50<br>(2")  | DN65<br>(2 1/2") | DN80<br>(3") | DN100<br>(4") | DN125<br>(5") | DN150<br>(6") | DN200<br>(8") | DN250<br>(10") | DN300<br>(12") | DN350<br>(14") | DN400<br>(16") |
|--|---|------------------|--------------|---------------|---------------|---------------|---------------|----------------|----------------|----------------|----------------|
| A (mm)   | Ø50   | Ø65              | Ø80          | Ø100          | Ø125          | Ø150          | Ø200          | Ø250           | Ø300           | Ø350           | Ø400           |
| B  | Flange connections according to international standards |                  |              |               |               |               |               |                |                |                |                |
| C  |   |                  |              |               |               |               |               |                |                |                |                |
| D (mm)   | 115   | 140              | 160          | 185           | 215           | 245           | 310           | 375            | 430            | 485            | 540            |
| E (mm)   | 6.5   | 6.5              | 6.5          | 7.5           | 7.5           | 8.0           | 8.5           | 8.5            | 10.0           | 10.0           | 10.0           |
| F (mm)   | 110   | 135              | 160          | 190           | 225           | 260           | 335           | 415            | 495            | 555            | 630            |
| Ball diameter (mm)                                 | Ø60   | Ø90              | Ø90          | Ø120          | Ø145          | Ø170          | Ø227          | Ø280           | Ø325           | Ø360           | Ø400           |
| Weight (kg)  | 2   | 2                | 3            | 4             | 5             | 7             | 16            | 23             | 36             | 53             | 66             |
| Flow rate at 0,25 bar (m3/h)*                      | 27  | 43               | 101          | 143           | 211           | 292           | 749           | 1280           | 1860           | 1510           | 2300           |
| Max. inlet air speed (m/s)                         | 16  | 17               | 22           | 22.5          | 22.5          | 22.5          | 14            | 22.5           | 20             | 24             | 22.5           |
| Inlet air flow rate at max. inlet air speed (m3/h) | 117   | 198              | 396          | 630           | 990           | 1440          | 1530          | 3960           | 5040           | 8100           | 9900           |

\* Please note that these values correspond with the WIKO5000 Gooseneck type 1 with screen mesh 18,

flowrate is with water being pumped through the air pipe head

This information is not to be considered exhaustive. The content of this publication is of general and informative nature and is not meant as (technical) advice for product or usage purposes. No rights are to be derived from this information.

Investing in Winteb Air Pipe Heads is beneficial in the long term, saving maintenance, replacement and costs.

For more information and a complete overview of our product range, please check [www.winteb.com](http://www.winteb.com)